

30" DREW CONSOLE WITH BRASS STAND

Cat. No

752WH, 754WH, 759WH



W: 30-1/2"
D: 21"
H: 35-1/8"



Mounting hardware T801A

Interior Dimensions:

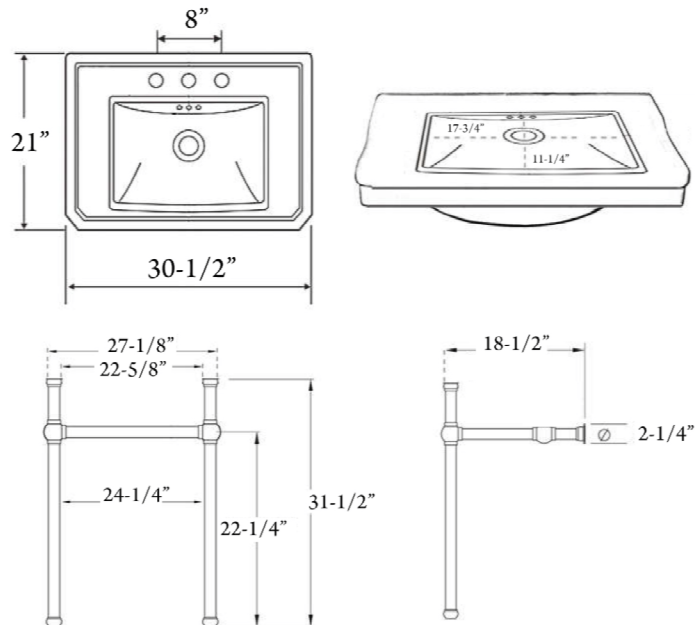
Basin Interior:	17-3/4" X 11-1/4"
Water Depth to OF:	5-1/2"
Faucet and Spout Hole:	1-1/2"
Sink Maximum Mount Bolts Height:	31-1/2"
Mount Bolt Height for Stand:	22-1/4"
Flanges:	22-1/4" H x 25-3/8" W

Features:

- ▶ Basin is Vitreous China
- ▶ Stand is made of 1" brass tubing
- ▶ Pre-drilled overflow hole
- ▶ Pre-drilled for single hole (**754WH**), 4" centerset (**759WH**) or 8" widespread faucet (**752WH**)
- ▶ Includes mounting hardware
- ▶ Stand is available in 6 finishes

Colors:

BN Brushed Nickel
CP Polished Chrome
PN Polished Nickel
PB Polished Brass
ORB Oil Rubbed Bronze
MB Matte Black



Dimensions of fixture are nominal and may vary within the range of tolerances established.